

## UNPACKING INSTRUCTIONS

Thank you for your continued interest in our products. Canadian Solar is committed to provide high quality and high performance solar modules to assist your PV business growth. This document provides unpacking instructions to our packaging solution for solar modules.

Below you will find the 3 different packaging methods used for Canadian Solar modules.

### 1. VERTICALLY PACKED ON THE LONG SIDE – METHOD A

These unpacking instructions are applicable to the following module types listed below:

Product Family	Module Type
HiHero	CS6R-H-AG
HiKu6	CS6R-MS CS6R-MS-HL CS6L-MS CS6W-MS
BiHiKu6	CS6W-MB-AG
TOPHiKu6	CS6R-T CS6W-T CS6.1-54TD CS6.1-54TM-H CS6.2-48TD
TOPBiHiKu6	CS6W-TB-AG CS6.1-54TB CS6.1-60TB

1



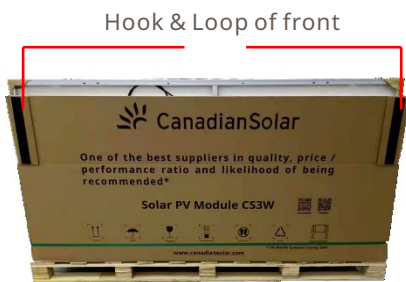
Disconnect the three middle packing belts.

2



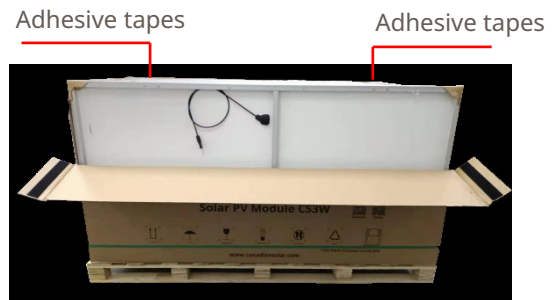
Remove the upper cover of the box, then disconnect the vertical and upper horizontal packing belts, leave the bottom one.

3



Tear apart the Hook & Loop from the upper of front cover.

4



Bend down the front cover along the middle cutting line.

5



Two workers peel off the adhesive tapes at the two ends of one module once a time, and the tapes need to be rolled up as above picture.

6



Two workers take out the module from the box. Then repeat step 5 and 6 to take out the other modules one by one.

## 2. VERTICALLY PACKED ON THE LONG SIDE – METHOD B

These unpacking instructions are applicable to the following module types listed below:

Product Family	Module Type
TOPHiKu6	CS6.1-72TD
TOPBiHiKu6	CS6.1-72TB CS6.2-66TB

1



Cut all the straps outside the carton.

2



Remove the cover.

3



Remove the box by opening the Velcro on the diagonal of the package.

4



Remove the carton and remove the four horizontal straps (marked in red) and one strap at each of the yellow marked positions.

5

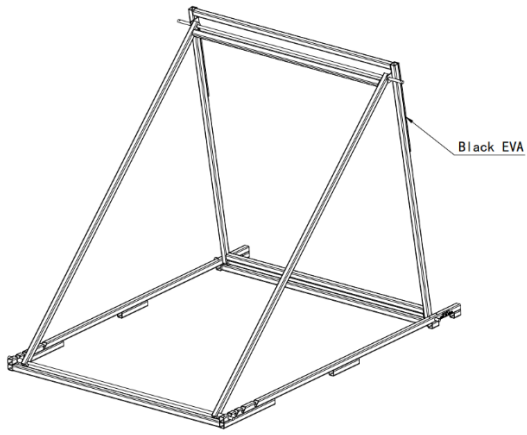


Push the module against a firm and steady leaning object (e.g., a wall, an unpacking rack, another well-packed bracket assembly, etc.) and remove the remaining packing tape.

6



Two workers work together to remove components for placement or installation.



Schematic diagram of the unpacking rack

**Attention:**

If there is not a firm and steady leaning object, the unpacking rack is an option. For detailed design drawings, please connect with Canadian Solar technical service team.

### 3. VERTICALLY PACKED ON THE SHORT SIDE

These unpacking instructions are applicable to the following module types listed below:

Product Family	Module Type
HiHero	CS7-60HB CS7-66HB
HiKu7	CS7L-MS CS7N-MS
TOPHiKu7	CS7L-T
BiHiKu7	CS7L-MB-AG CS7N-MB-AG
TOPBiHiKu7	CS7L-TB-AG CS7N-TB-AG



## Step 01: Special instructions before unpacking

CS7N & CS7L modules are packed vertically in portrait orientation using an innovative packaging system.

**1) For rooftop projects: NOTE!** It is not allowed to carry the original unpacked pallet onto the roof. Please unpack the pallet, take the modules out one by one, and then carry them to the roof horizontally as depicted in image A or B shown as below, or other methods which ensure module safety.

**2) For other projects:** In case the modules are unpacked and laid horizontally on a flat surface, the number of stacked modules should not be more than 12. Additionally it should be ensured that the modules rest on the frame of the subjacent module.

**3) Unpacking rack:** an unpacking rack or tools must be used to ensure a safe unpacking of the modules. Safety gloves, helmet and safety shoes should be worn during unpacking the modules.



Image A



Image B



## Step 02: Place the pallets on flat ground

Please place pallets on flat ground. Ground inclination should not exceed 4°.



Flat ground



Inclination > 4°



Please make sure the longer side of the wooden pallet is parallel to the slope



Unpacking rack



Modules and unpacking rack

### Attention:

In desert areas, special care should be taken to prevent the bottom sand from running off, in which case the modules can tilt heavily or even collapse.



### Step 03: Shipping and parts of unpacking rack

Take off the unpacking rack and then take out all parts of the rack listed below (unpacking rack attached on the pallet or sent separately) :



Attached to pallet



Horizontally

Parts list of the unpacking rack:



Inclined strut  
x1  
(part①)

Base  
x1  
(part②)

Vertical strut  
x1  
(part③)

Cross-bar  
x1  
(part④)

Stainless  
steel tube  
x2  
(part⑥)

Lock for  
crossbar  
x2  
(part⑦)

Screw x8  
Lock for  
wooden pallet  
x2  
(part⑤)



### Step 04: Assembling of unpacking rack

Assembling process:

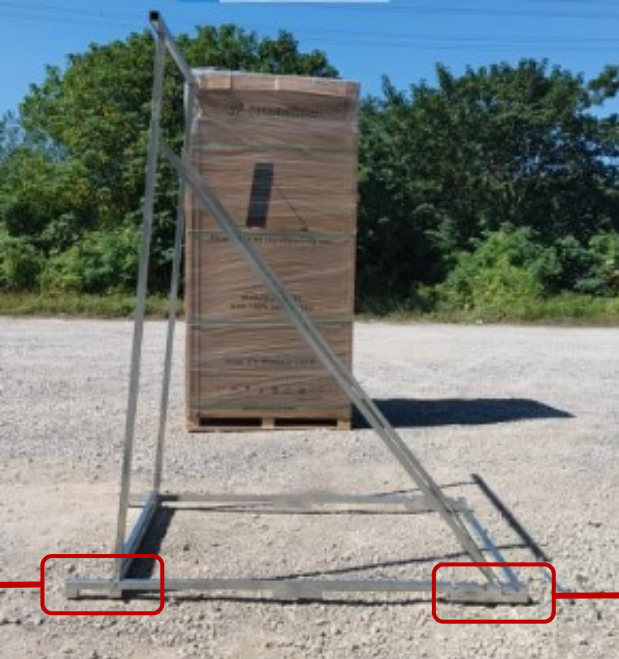
Step 3.1: Insert cross-bar ④ into vertical strut ③.



Step 3.2: Align the holes in vertical strut ③ with those in base ②. Insert stainless steel tube ⑥ into the holes and fix with screws.



Step 3.3: Put the crossbar side of inclined strut ① in the slot of the base ②. Align the holes on both inclined strut ① and vertical strut ③. Insert stainless steel tube ⑥ into the holes and fix with screws.



See step 7

See step 6

### Step 05: Select the side to face the unpacking rack

Find the side with the printed logo of the unpacking rack and face it towards the rack.



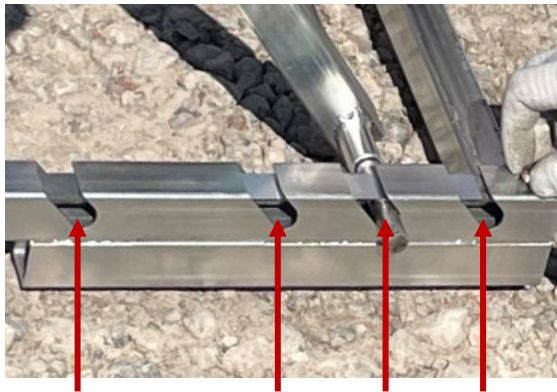
**Attention:**

- The logo is only printed on one side of the pallet



### Step 06: Select position based on different slope

Adjust the right angle of the rack according to the slope towards the side with the printed rack logo. Insert the base lock ⑦ and secure with screws.



Position ①

②

③

④

**Attention:**

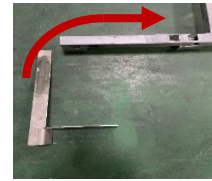
- The four position on the base correspond with positions: ① = 0-2 degrees, ② = 4-6 degrees, ③ = 6-8 degrees, ④ = 8-10 degrees of the slope respectively
- Suggested angle of module pallet range: 4-8°

## Step 07: Insert unpacking rack

Insert the unpacking rack from the side with the printed rack logo under the wooden pallet. Then, put the "L" shape lock ⑤ into base ② of wooden pallet to prevent rack from moving away from the module pallet.



"L" shape lock on the pallet foot



### Attention:

- No unpacking operation shall be carried out when the wind speed is above 40 km/h
- Please save the lock for wooden pallet for repeated use.

## Step 08: Remove the wrapping film

Tear off all the shrink-wrap film covering the box except for the top cover.



### Attention:

- Do not remove the wrapping film on the top cover, and later remove it together with the top cover.

## Step 09: Remove outer packing straps

Cut off all the packing straps outside the packing box.



### Attention:

- Take additional care when cutting straps; strap may recoil.

## Step 10: Remove the outside cardboard beams and topcover

Remove the cardboard beams on corners of the pallet, then use the cardboard beam to remove the top cover.



### Attention:

- Ensure no one else is standing next to the pallet prior to removing the top cover.

## Step 11: Open the carton

Open the carton from the "Unpack here" corner. Fold the other three sides back.



### Attention:

- Please start with "Unpack here".
- The other three sides are suggested to be torn off (when the wind is strong).

## Step 12: Remove the inner packing straps, push the modules towards the unpacking rack

First, cut the horizontal straps and keep the vertical straps. Please stand on both sides of the pallet.

Cut 2 of the 4 vertical straps (on each side).

Push the modules to the rack, cut all remaining straps, and remove the tape.



Cut horizontal straps



Cut 4 vertical straps and push modules to the rack



Cut all the straps

### Attention:

- Take additional care when cutting straps; strap may recoil.
- Please hold the pallet while cutting the vertical straps

### Step 13: Take out the modules one by one

Once the package is opened, please take out modules one by one until empty.



#### Attention:

- One person needs to hold the remaining vertical modules while unpacking them.
- Handle modules by holding on to both sides at the same time.
- Separate remaining materials for proper recycling.
- Do not remove the tape that secures connectors while unpacking.

Place the modules horizontally on the pallets:

Two wooden pallets can be jointed as below, and a carton padded above it.

Make sure the bottom module's front side looks upwards, and the rest of the modules' front side downward.

**Note:** For the rooftop project, it is recommended to order a special pallet for better placement and transportation. Take precautions against rain and moisture.



Jointed wooden pallets

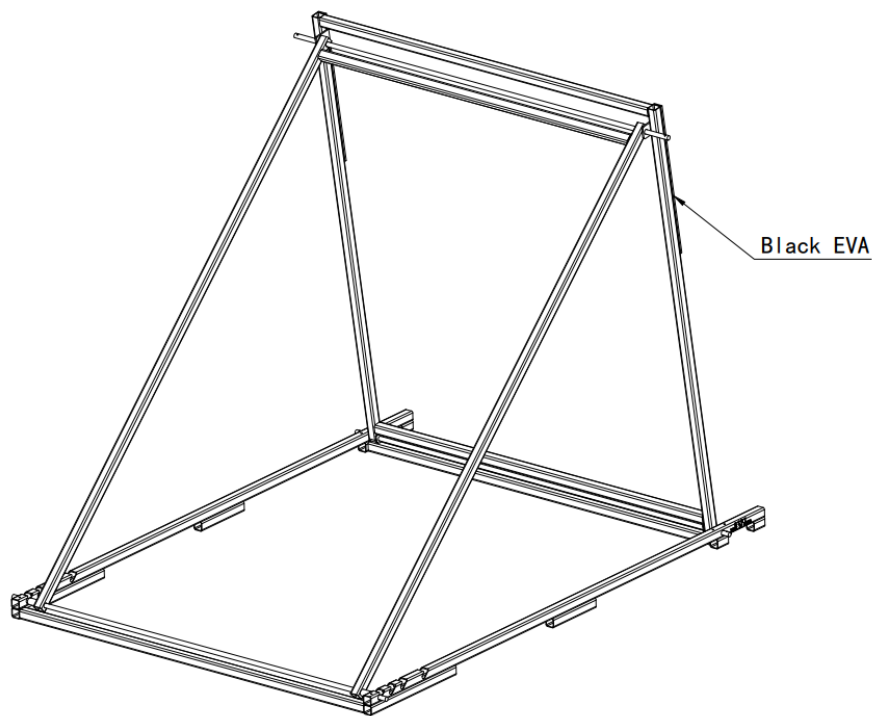


The bottom module's front side should face upward

## Further information

### Attention:

- Please take photos and contact the local sales/customer service staff at first time if you encounter a damaged package or modules or have any questions regarding the unpacking process, please feedback to the service mailbox, support@csisolar.com.
- If the user does not unpack the module according to the steps specified in this manual, CSI shall not assume any responsibility for any losses incurred therefrom including but not limited to personal and property damage.
- Please place the pallets on a flat area before unpacking.
- Please wear gloves to prevent your hands from getting injured.
- Do not unpack the whole box before taking out all the modules.
- Two workers are required to unpack modules from the packing box. When handling modules always use both hands.
- While unpacking according to part 2 of this instruction, if there is not a firm and steady leaning object, the unpacking rack is an option. For detailed design drawings, please connect with Canadian Solar technical service team.



Schematic diagram of an unpacking rack

### LEARN MORE



Unpacking video



Unpacking rack assembly



How modules are made and tested

### Scan to follow us



Facebook



Instagram



LinkedIn



Twitter

**CSI Solar Co., Ltd.**

199 Lushan Road, SND, Suzhou, Jiangsu, China, 215129  
support@csisolar.com, www.csisolar.com

August 2024. All rights reserved