

T4-PPE-1 CONNECTOR

PRODUCT OVERVIEW

T4 connectors use high quality materials that guarantee long-term reliability. Lower contact resistance and higher current transfer capability ensure high product efficiency. T4 connectors have IP68 water-proof rating and can be used in a wide operating temperature range from -40 °C to 90 °C.

CERTIFICATIONS

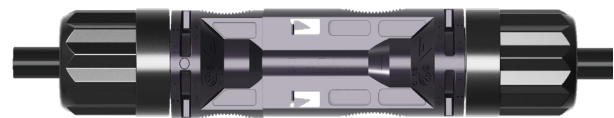
IEC 62852: TÜV-Rheinland / CE
Compliance with RoHS, REACH and NEC
(no locking sleeve required)



Male connector (-)



Female connector (+)



ELECTRICAL DATA

Rated Voltage	IEC 1500 V
Rated Current	32 A for 4 mm ² / 6 mm ²
Contact Resistance	≤ 0.25 mΩ
Pollution Degree	Class II
Protection Class	Class II
Protection Degree	IP68 (when mated)
Fire Resistance	UL 94-V0
Temperature Range	- 40 °C ~ + 90 °C
Rated Impulse Voltage	16 kV

MECHANICAL DATA

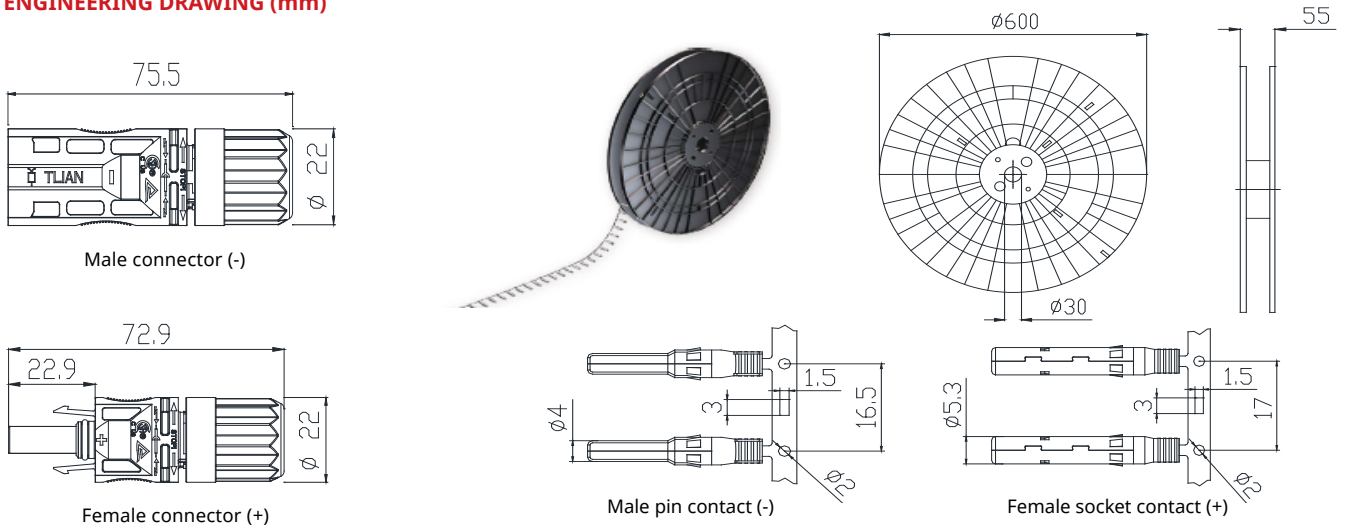
Conductor Cross Section	IEC: 4 mm ² / 6mm ²
Connector System	Φ 4.0 mm
Contact Material	Copper, Tin-plated
Type of Termination	Crimping
Locking System (UL)	Locking type

TLIAN (CHANGSHU) CO., LTD.

Guanghuahuan Road No.6, Changshu, China, 0086-512-52971585

A subsidiary of Canadian Solar Inc., 545 Speedvale Avenue West, Guelph, Ontario N1K 1E6, Canada, www.canadiansolar.com

ENGINEERING DRAWING (mm)



T4-PPE-1 ORDER INFORMATION

Product	\varnothing Cable OD	Conductor Cross Section	Packing Units
T4-PPE-1	4.3 - 6.6 mm	4 / 6 mm ²	100 or 500 pairs
	Large (6.7 - 7.5 mm)		100 or 500 pairs

ACCESSORIES ORDER INFORMATION

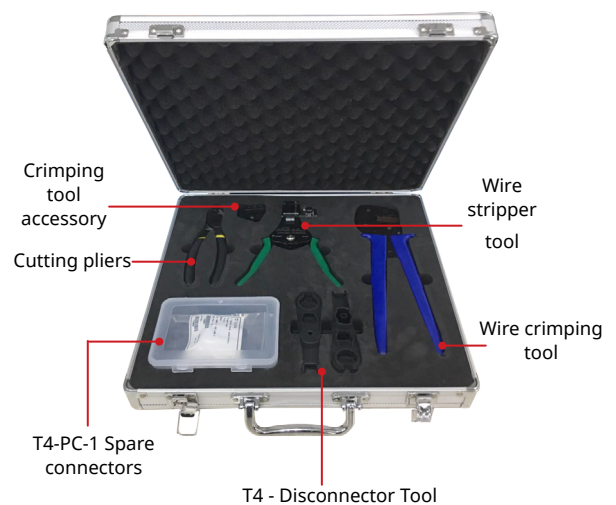
Product	Description	Packing Units
T4-DT	T4 Disconnect Tool	100 or 500 units
T4-EC	T4 Connector End Cap	1000 or 5000 pairs
T4-MPC	T4 Male Pin Contact (-) In a Roll	4 Rolls (10000 units)
T4-FSC	T4 Female Socket Contact (+) In a Roll	4 Rolls (10000 units)
T4-MFC	T4 Male and Female Contact (-)/(+)	2000 or 10000 pairs
T4-TOOLKIT	T4 Field Installation Toolkit	1 unit

T4-TOOLKIT COMPONENTS

Wire stripper tool	1 piece
Wire crimping tool	1 piece
Cutting pliers	1 piece
T4 Disconnect Tool	2 pieces
Crimping tool accessory	1 piece
T4-PC-1 Spare connectors	2 pairs
Installation manual	1 copy

T4-TOOLKIT SIZE

Size	350×350×75 mm (13.8×13.8×2.9 in)
Weight	3 kg (6.6 lbs)



The specifications and features described in this datasheet may deviate slightly and are not guaranteed. Due to on-going innovation, research and product enhancement, Tlian reserves the right to make any adjustment to the information described herein at any time without notice. Please always obtain the most recent version of the datasheet which shall be duly incorporated into the binding contract made by the parties governing all transactions related to the purchase and sale of the products described herein.

The connector must be isolated and disconnected from the power supply during the assembly or disassembly process. Do not disconnect under load. The use of a PV cable is recommended. Avoid any grease or oils contacting the body of the T4 PV connector. Please read the safety and installation instructions before using the connector.