

PV DC SPD-Type 2



Features

- Non-destructive screening technology for MOV
- Uniform current flow technology of MOV
- Y circuit
- Reliable thermo disconnect device
- High discharge capacity
- Consisting of a base part and pluggable modules
- Easy replacing and anti-vibration due to module releasing and locking system
- Multifunctional terminals for connecting conductors and busbars
- Visual and remote status indication
- DIN rail installation

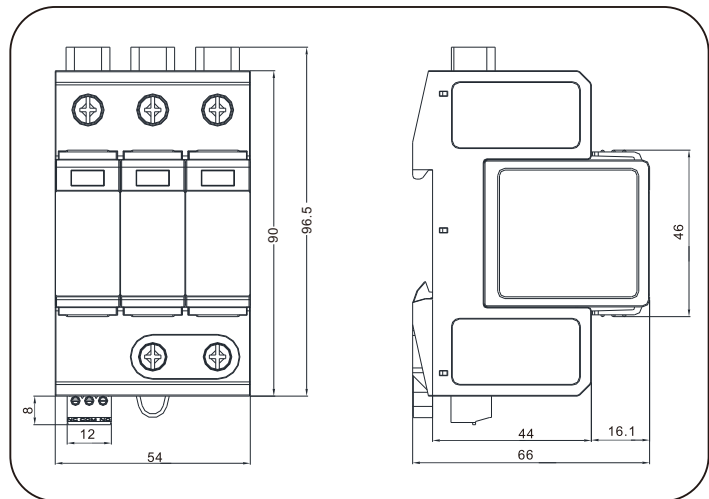
Approval

- TUV
- CE
- RoHS
- UL 1449
- UL 94 V-0

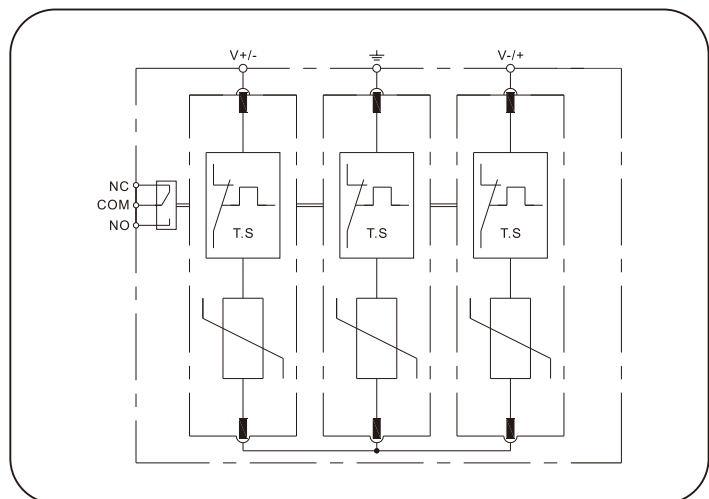
Description

DIN rail, Type 2 /Class II SPD with anti-vibration pluggable module for use in PV 1500 Vdc system at boundaries from LPZ 0_B-1 and higher.

Dimension drawing



Circuit diagram



Type	PV 1500-40M2-21R	PV 1500-40M2-21
Part No.	94 21 44A	94 21 45A
Electrical		
SPD according to EN 50539-11:2013	Type 2	
SPD according to GB/T 18802.31-2016	Type 2	
SPD according to UL 1449	4CA	
Number of ports	1	
Technology	MOV	
Max. continuous operating d.c. voltage (U_{CPV})	1500 V	
Nominal discharge current (8/20 μ s) (I_n)	20 kA	
Max. discharge current (8/20 μ s) (I_{max})	40 kA	
Voltage protection level (U_p)	5.0 kV	
Voltage protection level for 5 kA (U_p)	3.8 kV	
Measured Limiting Voltage (MLV)	4770 V	
Response time (t_r)	≤ 25 ns	
Max. overcurrent protection	Not required	
Short-circuit withstand capacity (I_{SCP})	1000 A	
Mechanical		
Method of mounting	35 mm DIN rail	
Enclosure dimensions (HxWxD)	97 mm \times 54 mm \times 66 mm	
Cross-sectional area (max.)	25 mm ² stranded / flexible	
Cross-sectional area (min.)	1.5 mm ² stranded / flexible	
Stripping length terminals	10 mm	
Torque contacts	3 N*m	
Indication		
Operating status/fault indication	Green / red	
Type of remote signaling contact	Changeover contact	--
Switching capacity	125 Vac / 1 A, 125 Vdc / 0.2 A	--
Cross-sectional area for remote signaling terminals (max.)	1.5 mm ²	--
Stripping length for remote signaling terminals	7 mm	--
Torque contacts for indication terminals	0.2 N*m	--
Environmental		
Location category	Indoor only	
Operation temperature range (T_U)	-40°C ... +85°C	
Relative humidity	$\leq 95\%$ (max 40°C)	
Operation altitude	≤ 4 km	
Degree of protection	IP 20	
Enclosure material	Thermoplastic, UL 94V-0	