

# SPD with isolated module



## Features

- Non-destructive screening technology for MOV
- CDGG technology for isolated module
- Reliable thermo disconnect device
- High discharge capacity
- Consisting of a base part and pluggable modules
- Easy replacing and anti-vibration due to module releasing and locking system
- Multifunctional terminals for connecting conductors and busbars
- Visual and remote status indication
- DIN rail installation

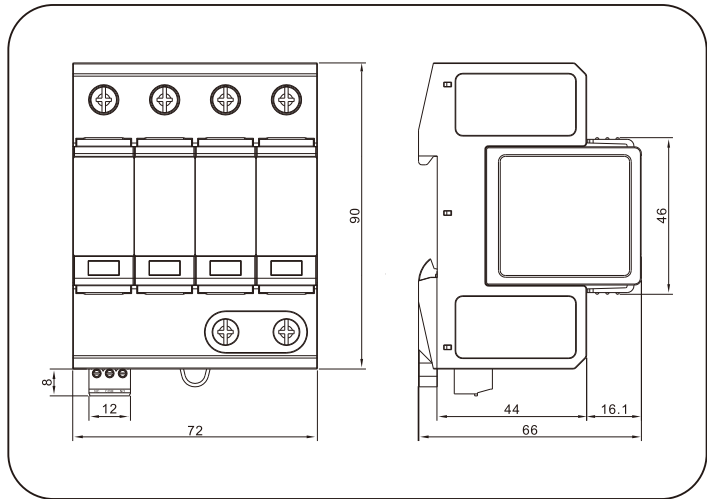
## Approval

- TUV
- CE
- RoHS
- UL 1449
- UL 94 V-0

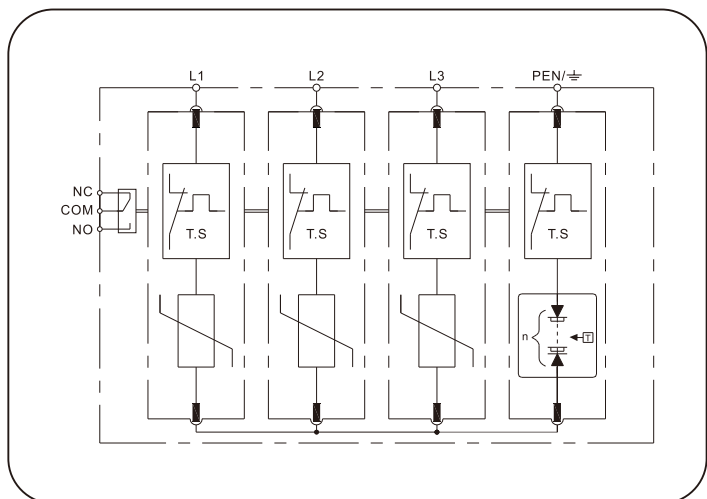
## Description

DIN rail, Type 2 /Class II SPD with anti-vibration pluggable module for use in TNC system at boundaries from LPZ 0<sub>B</sub>-1 and higher, and especially designed isolated module to prevent the harmonic wave interference.

## Dimension drawing



## Circuit diagram



Type	PE 760-25M2-32R	PE 760-25M2-32
Part No.	93 32 02	93 32 04
<b>Electrical</b>		
SPD according to IEC 61643-1/11		Class II
SPD according to EN 61643-11		Type 2
SPD according to UL 1449		4CA
Number of ports		1
Technology		MOV & CDGG
Nominal Voltage ( $U_n$ )		400 / 690 Vac
Max. continuous operating voltage ( $U_c$ )		760 Vac
Nominal discharge current (8/20 $\mu$ s) ( $I_n$ )		15 kA
Max. discharge current (8/20 $\mu$ s) ( $I_{max}$ )		25 kA
Voltage protection level ( $U_p$ )		4.0 kV
Voltage protection level for 5 kA ( $U_p$ )		3.0 kV
Measured Limiting Voltage (MLV)		2860 V
Response time ( $t_A$ )		$\leq 100$ ns
Max. overcurrent protection		$\leq 100$ AgL / gG
Short circuit withstand capability ( $I_{scw}$ )		25 kA <sub>rms</sub>
Temporary overvoltage (TOV) ( $U_T$ )		1200 V / 5 s
TOV characteristic		Withstand
<b>Mechanical</b>		
Method of mounting		35 mm DIN rail
Enclosure dimensions (HxWxD)		90 mm $\times$ 72 mm $\times$ 66 mm
Cross-sectional area (max.)		25 mm <sup>2</sup> stranded / flexible
Cross-sectional area (min.)		1.5 mm <sup>2</sup> stranded / flexible
Stripping length terminals		10 mm
Torque contacts		3 N*m
<b>Indication</b>		
Operating status/fault indication		Green / red
Type of remote signaling contact	Changeover contact	--
Switching capacity	125 Vac / 1 A, 125 Vdc / 0.2 A	--
Cross-sectional area for remote signaling terminals (max.)	1.5 mm <sup>2</sup>	--
Stripping length for remote signaling terminals	7 mm	--
Torque contacts for indication terminals	0.2 N*m	--
<b>Environmental</b>		
Location category		Indoor only
Operation temperature range ( $T_U$ )		-40 °C ... +85 °C
Relative humidity		$\leq 95$ % (max 40 °C)
Operation altitude		$\leq 4$ km
Degree of protection		IP 20
Enclosure material		Thermoplastic, UL 94V-0