

Quick installation instructions

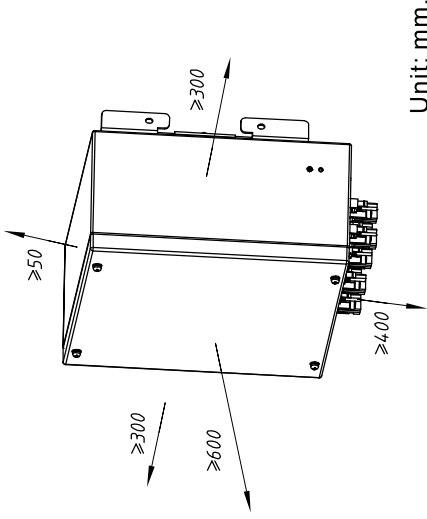
DC Box

- CSI-GI-DCBOX-22-E
- CSI-GI-DCBOX-23-E



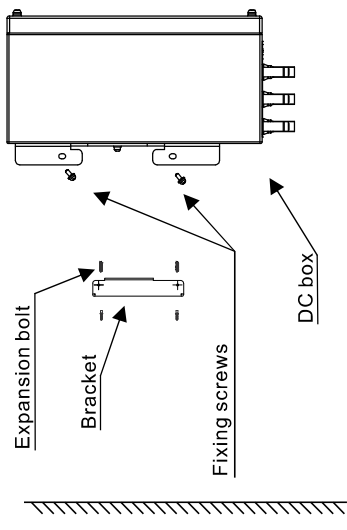
1 Determine location of DC Box

Determine the DC box location following minimum clearance required from all directions.



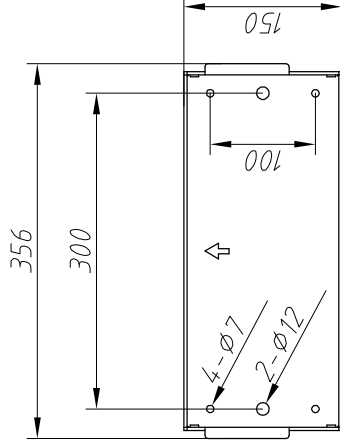
3 Mount DC Box

Mount DC box on bracket, tighten with fixing screws.



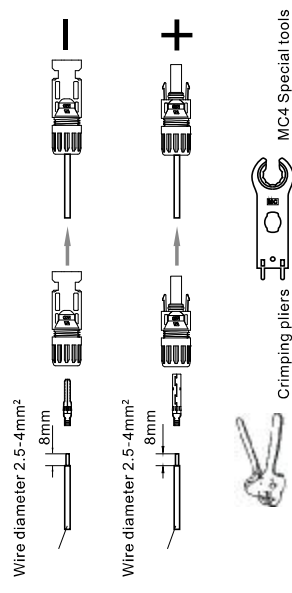
2 Select mounting method

- 2- Φ 12 used for wall mounting;
- 4- Φ 7 used for rack mounting.



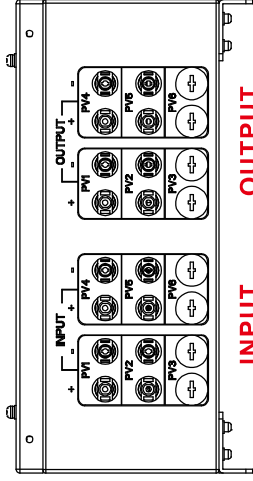
4 Assemble and connect DC terminals

Tighten DC terminals with crimping pliers. Insert metal connector into connector nut and housing. Tighten nut with MC4 special tools.

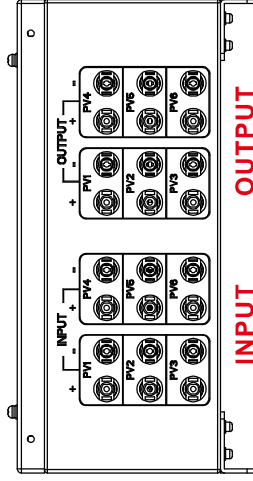


5 Connect DC terminals

Connect the PV array home runs to the input side of the DC box. Connect the output side of the DC box to the inverter.



For the DC Box with 4 strings



For the DC Box with 6 strings

6 Specifications

Model	CSI-GI-DCBOX-22-E
Technical data	
Max. DC input voltage	1000V
Max. input current	20A+20A
Size(W)*(H)*(D)	350*338*182(mm)
Weight	4.6kg
Ingress protection	IP65
Input MPPT number	2
Input string	4
SPD Voltage protection level	Class II
Nominal discharge current	20kA
Fuse rating	15A

Model	CSI-GI-DCBOX-23-E
Technical data	
Max. DC input voltage	1100V
Max. input current	28.5A+28.5A
Size(W)*(H)*(D)	350*338*182(mm)
Weight	4.2kg
Ingress protection	IP65
Input MPPT number	2
Input string	6
SPD Voltage protection level	Class II
Nominal discharge current	20kA
Fuse rating	15A

7 Disclaimer

This manual is subject to change without prior notification. Copyright is reserved. Duplication of any part of this manual is prohibited by any means without written permission.